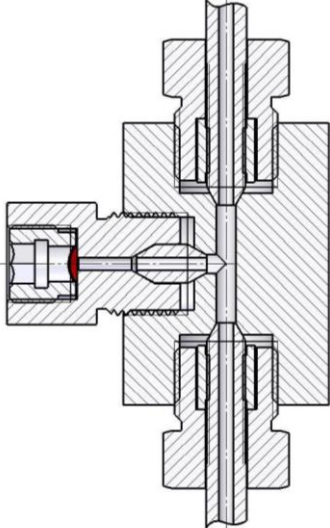
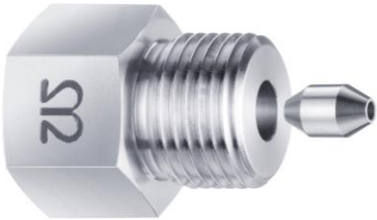
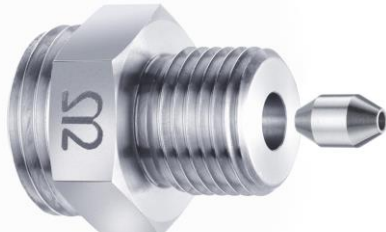
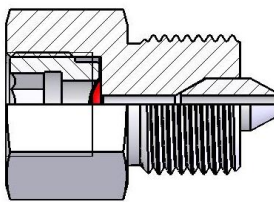
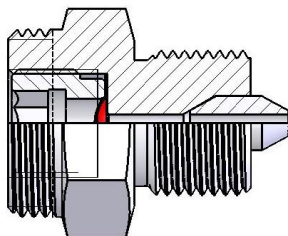


Hybrid Assembly HA hp M16x1,5 DGBM*

Bursting element suitable for high-pressure screw fittings with a sealing lens

		
		
	<p>With free outlet to the atmosphere</p>	<p>With connection thread G 1/2" for conveying media by pipe or tube</p>
<p>Wrench Size:</p>	<p>WS 19</p>	<p>WS 22</p>
<p>Total length without sealing cone lens:</p>	<p>27 mm</p>	<p>27 mm</p>
<p>Thread length on the screw-in side:</p>	<p>13 mm</p>	<p>13 mm</p>
<p>Nominal size:</p>	<p>DN 5,5 mm may vary at low bursting pressures</p>	
<p>Body material:</p>	<p>1.4404</p>	
<p>Material of the bursting elements:</p>	<p>- nickel - stainless steel - inconel depending on request and availability</p>	
<p>Bursting pressures:</p>	<p>10 – 1000 bar</p>	
<p>Temperatures:</p>	<p>Rating of the bursting pressures at various temperatures possible on request</p>	

* DGBM (utility design registration, file ref. 20308715.1)