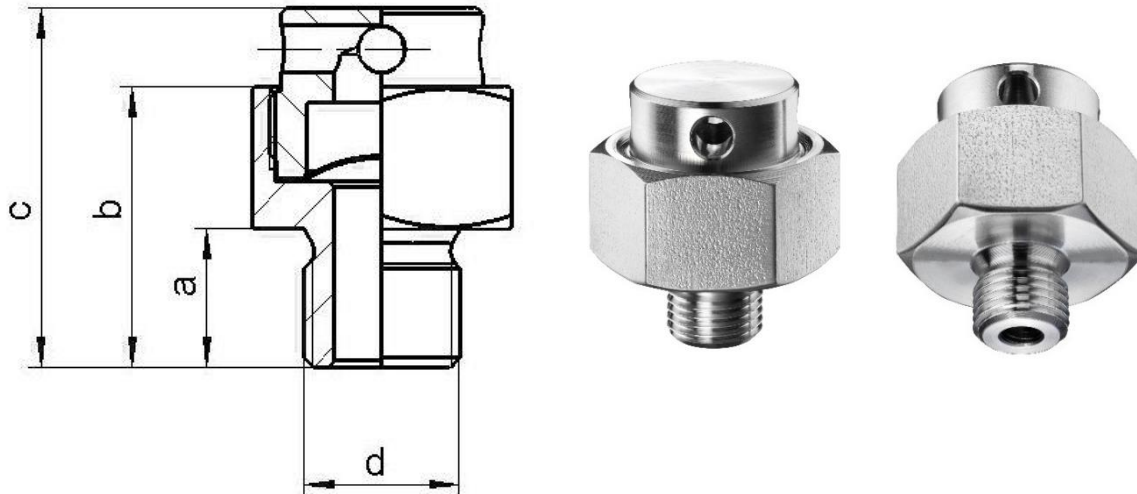


Hybrid Assembly® LP

Protecting low bursting pressures with small connection threads



d	a	b	c	AF	DN	suitable for pressures
G 1/8"	8 mm	20 mm	27,0 mm	22	4 mm	3 - 175 bar
G 1/4"	12 mm	24 mm	30,8 mm	22	8 mm	3 - 225 bar
G 1/2"	14 mm	26 mm	32,5 mm	27	8 mm	3 - 225 bar

Sealing: O-ring, USIT-ring or metalseal (Cu, Al)

Body: stainless steel 1.4404

Marking: by laser

Bursting element options: - nickel
- stainless steel
(depending on requirements and availability)