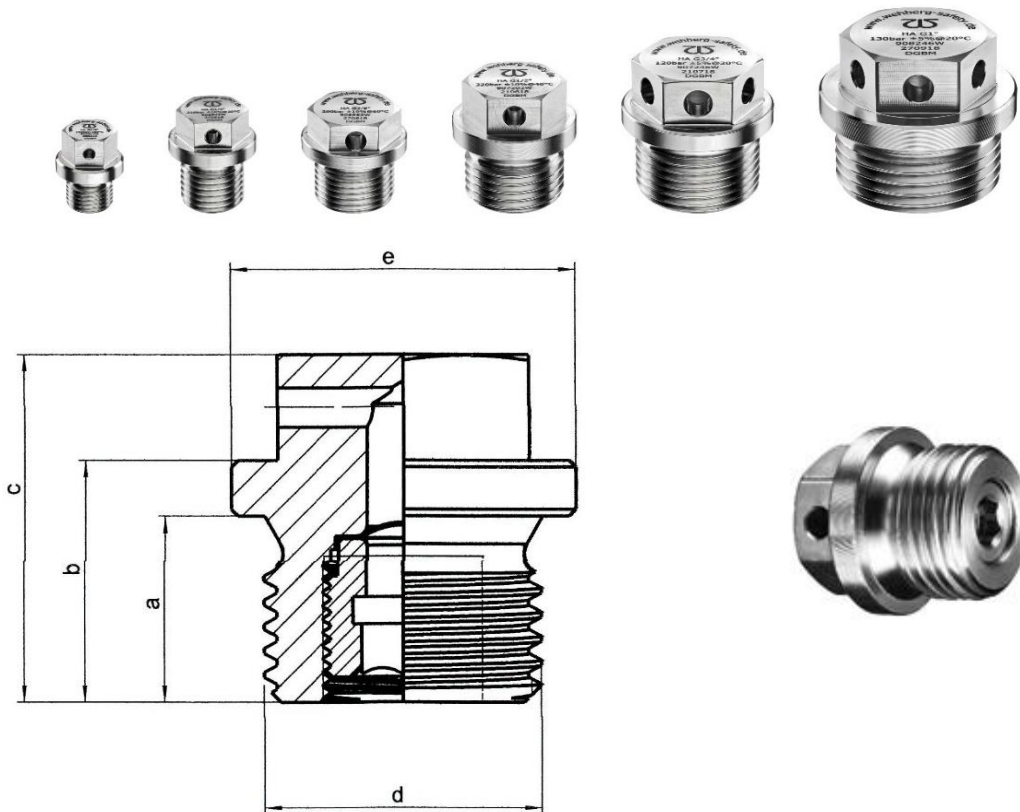


Hybrid Assembly® G Standard

Shape similar to locking plug DIN 910



d	a	b	c	e	AF	DN	suitable for pressures
G 1/8"	8 mm	11 mm	17,0 mm	14 mm	10	min. 2.0 mm	40 - 1000 bar
G 1/4"	12 mm	15 mm	20,8 mm	18 mm	13	4.0 mm	30 - 1000 bar
G 3/8"	12 mm	15 mm	20,8 mm	22 mm	17	5.5 mm	10 - 1000 bar
G 1/2"	14 mm	18 mm	26,2 mm	26 mm	19	5.5 mm	10 - 1000 bar
G 3/4"	16 mm	20 mm	29,8 mm	32 mm	24	12.7 mm	3 - 500 bar
G 1"	16 mm	21 mm	32,0 mm	39 mm	27	12.7 mm	3 - 500 bar

Sealing: O-ring, USIT-ring or metal seal (Cu, Al)

Body: stainless steel 1.4404

Marking: by laser

Bursting element options: - nickel
- stainless steel
- Inconel

(depending on requirements and availability)