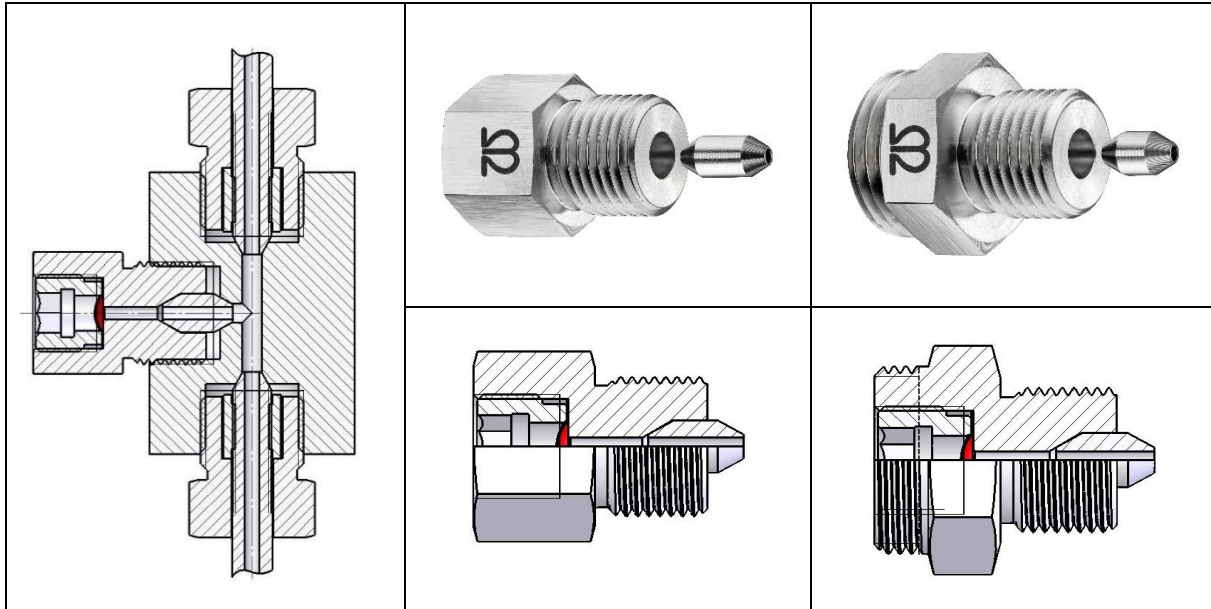


Hybrid Assembly® HA hp M16x1,5

Suitable for high-pressure screw fittings with a sealing lens



Design types:

With free outlet to the atmosphere

Width across flats AF 19 mm

With connection thread G 1/2"
for conveying media by pipe or tube

Width across flats AF 22 mm

Total length without sealing cone lens: 27 mm
Thread length on the screw-in side: 13 mm
Nominal diameter DN: 5,5 mm (may vary in case of low bursting pressures)

Body: stainless steel 1.4404
Marking: by laser

Burst element options:

- nickel
- stainless steel
- Inconel

(depending on requirements and availability)

Bursting pressures: 10 – 1000 bar

Temperatures: Determination of bursting pressures at various temperatures possible on request