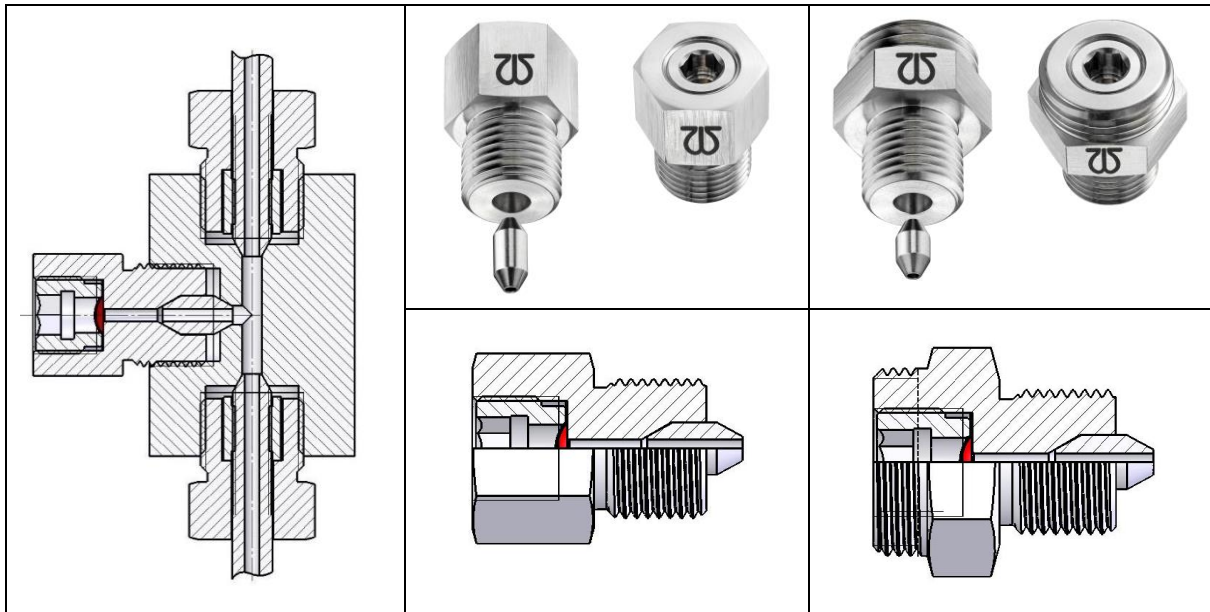


# Hybrid Assembly® / Hybrid System®

## HIGH PRESSURE M16 x 1,5

Suitable for high-pressure screw fittings with a sealing lens



### Design types:

#### Hybrid Assembly

With free outlet to the atmosphere

Width across flats AF 19 mm

#### Hybrid System

With connection thread G 1/2" for conveying media by pipe or tube

Width across flats AF 22 mm

**Total length without sealing cone lens:** 27 mm  
**Thread length on the screw-in side:** 13 mm  
**Nominal diameter DN:** 5,5 mm (may vary in case of low bursting pressures)

**Body:** stainless steel 1.4404  
**Marking:** by laser

**Burst element options:**

- nickel
- stainless steel
- Inconel

(depending on requirements and availability)

**Bursting pressures:** 10 – 1000 bar

**Temperatures:** Determination of bursting pressures at various temperatures possible on request