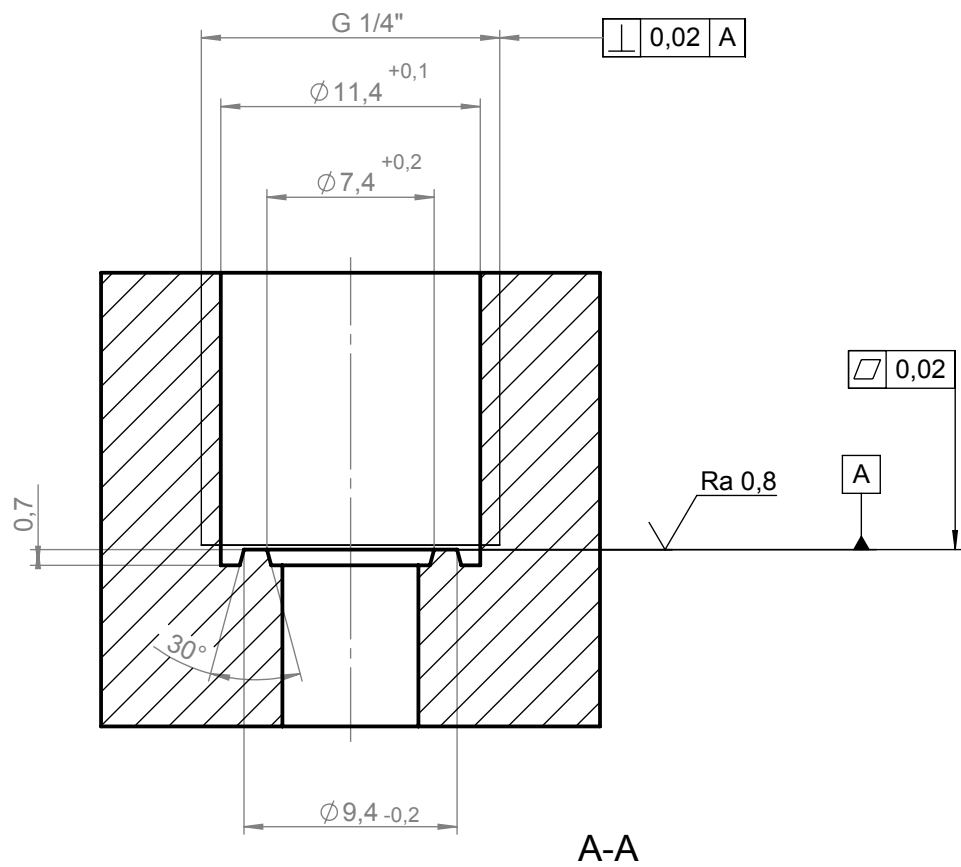
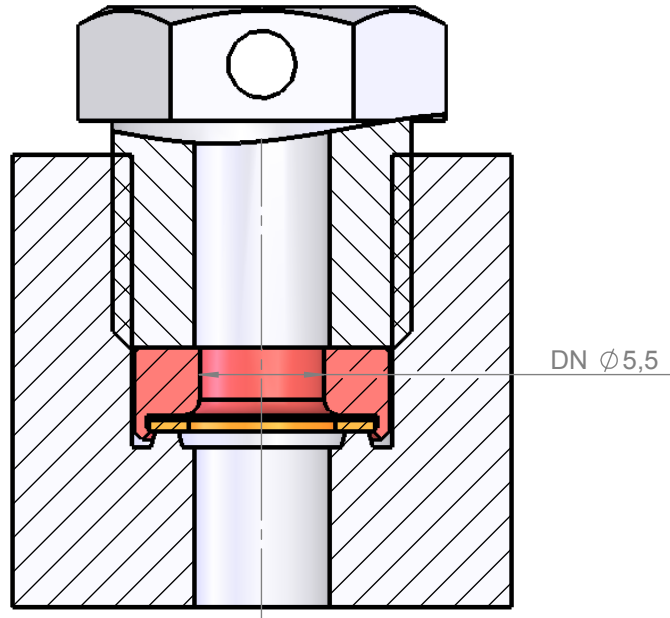




1:1



<b>General tolerance</b> ISO 2768-m	Designed: 16.12.09 Rs	-	-	-	-
	Approved:	-	-	-	-
<b>Scale</b> 3:1	Tested:	Index	Modification	Name	Date
<b>WEHBERG SAFETY</b> GMBH	Material:	-		Surface:	-
	Designation:	Sealing geometry for bursting disc assembly G1/4"		Drawing-No.:	