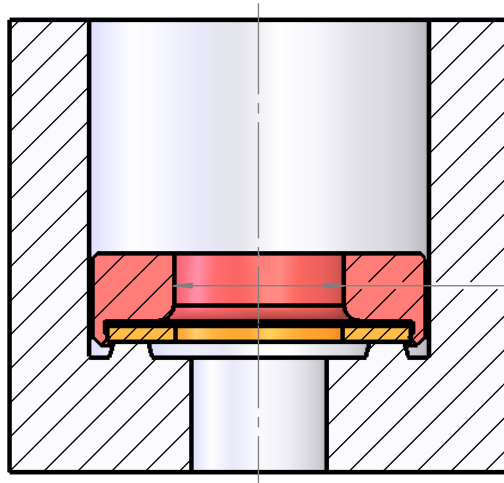
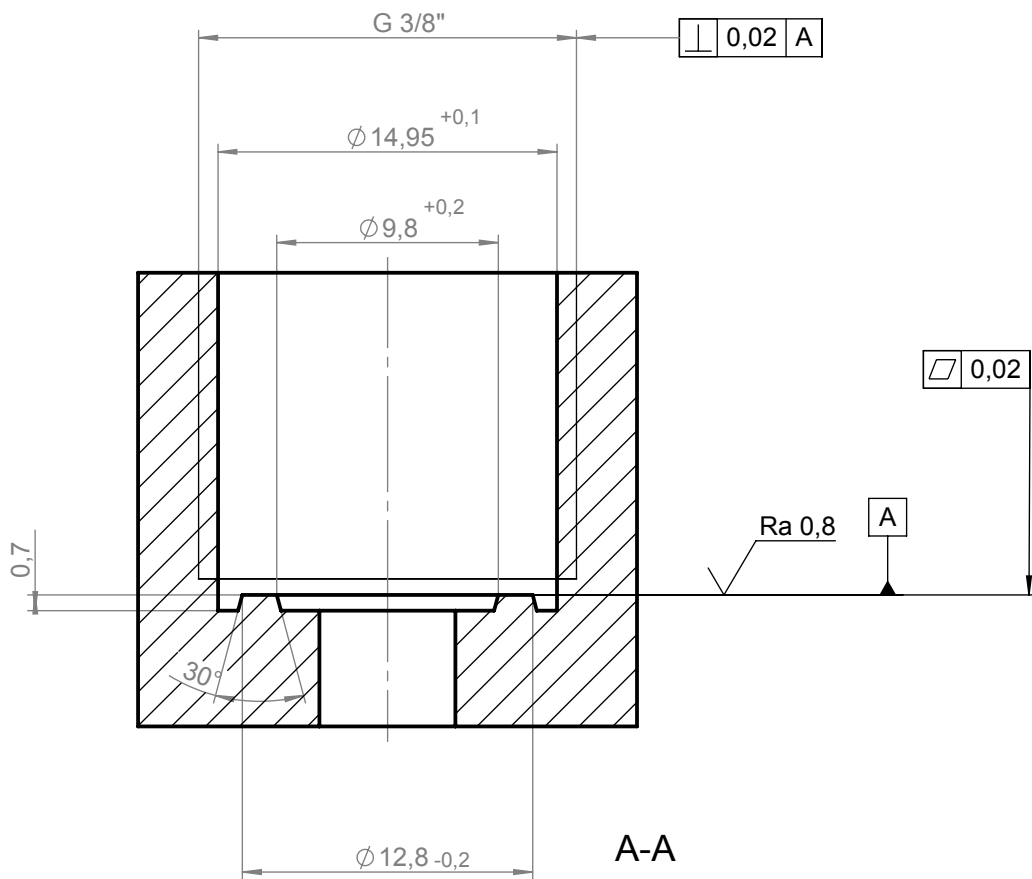




1:1



DN $\varnothing 7,5$



General tolerance ISO 2768-m	Designed : 16.12.09 Rs	-	-	-	-
	Approved :	Index	Modification	Name	Date
Scale 3:1	Material:	-		Surface:	-
WEHBERG SAFETY GMBH	Designation:	Sealing geometry for bursting disc assembly G3/8"		Drawing-No.:	